



河北雄安盛蕴科技有限公司

HEBEI XIONGAN SHARE TECHNOLOGY CO. LTD



## Full Electric Walkie Stacker

SY-E-WS



### Short introduction:

✔ Lift functions is electro hydraulic while movement is manual, suitable for all your lifting needs (racking, shelving, unloading ,etc). Compact design with strong steel construction.



- ✔ Equipped with explosion-proof valve, aga inst of sudden drop of forks and prevent operator from harm.
- ✔ Over-discharge protection device greatly prolongs the battery use time.





### Steel frame:

High quality steel frame ,compact design with strong steel construction for perfect stability, accuracy and high lifetime.

### Multi-function meter:

The multi-function meter can display the vehicle working status, battery power and working time.

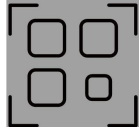


### Anti burst cylinder :

Anti burst cylinder ,extra layer protection.Expllosion-proof valve applied in the cylinder prevents injuries in case of hydraulic pump failure.

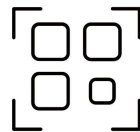
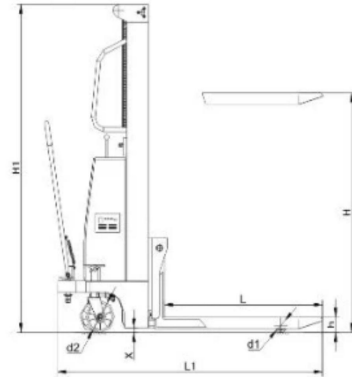
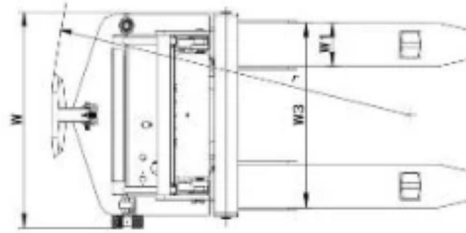
### Handle:

Long handle structure makes it steering light and flexible. And with emergency reverse button and turtle low speed switch to enhance the safety of operation.





Specifications 





Transport



Wide Application

